

# 7208 BE-2RZP



Single row angular contact ball bearing with 40° contact angle and non-contact seals on both sides

These single row angular contact ball bearings, with 40° contact angle and non-contact seals on both sides, accommodate radial and axial loads acting simultaneously, where the axial load acts in one direction only. They have a ball-centred glass-fibre reinforced PA66 cage. They are more suitable than deep groove ball bearings for supporting large axial forces acting in one direction.

- 40° contact angle
- Integral sealing prolongs bearing service life
- Glass-fibre reinforced PA66 cage
- Accommodate relatively high radial loads and large unilateral axial loads

## Overview

### Dimensions

Bore diameter	40 mm
Contact angle	40 °
Outside diameter	80 mm
Width	18 mm

### Performance

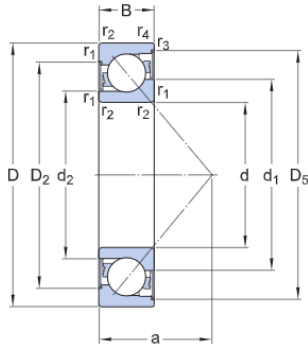
Basic dynamic load rating	34.5 kN
Basic static load rating	24 kN
Limiting speed	8 000 r/min
Reference speed	10 000 r/min

## Properties

Axial internal clearance	Not applicable
Cage	Non-metallic
Coating	Without
Contact type	Normal contact (two-point contact)
Locating feature, bearing outer ring	None
Lubricant	Grease
Matched arrangement	No
Material, bearing	Bearing steel
Number of rows	1
Relubrication feature	Without
Ring type	One-piece inner and outer rings
Sealing	Seal on both sides

Sealing type	Non-contact
Universal matching bearing	No

# Technical Specification

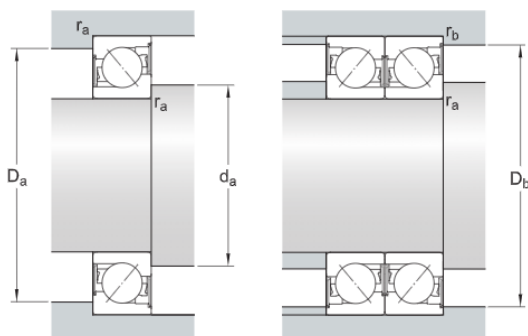


## Dimensions

d	40 mm	Bore diameter
D	80 mm	Outside diameter
B	18 mm	Width
d <sub>1</sub>	≈ 56.07 mm	Shoulder diameter of inner ring (large side face)
d <sub>2</sub>	≈ 48.05 mm	Shoulder diameter of inner ring (small side face)
D <sub>2</sub>	≈ 67.2 mm	Recess diameter of outer ring (large side face)
D <sub>5</sub>	≈ 73.5 mm	Recess diameter of outer ring (small side face)
a	34 mm	Distance side face to pressure point
r <sub>1,2</sub>	min. 1.1 mm	Chamfer dimension
r <sub>3,4</sub>	min. 0.6 mm	Chamfer dimension

## Abutment dimensions

d <sub>a</sub>	min. 47 mm	Diameter of shaft abutment
d <sub>a</sub>	max. 55.5 mm	Diameter of shaft abutment
D <sub>a</sub>	max. 73 mm	Abutment diameter housing
D <sub>b</sub>	max. 75.8 mm	Diameter of housing abutment
r <sub>a</sub>	max. 1 mm	Radius of fillet
r <sub>b</sub>	max. 0.6 mm	Radius of fillet



## Calculation data

Basic dynamic load rating	C	34.5 kN
Basic static load rating	C <sub>0</sub>	24 kN

Fatigue load limit	$P_u$	1.02 kN
Reference speed		10 000 r/min
Limiting speed		8 000 r/min
Minimum axial load factor	A	0.0102
Minimum radial load factor	$k_r$	0.095
Limiting value	e	1.14

#### Single bearing or bearing pair arranged in tandem

Calculation factor (single, tandem)	X	0.35
Calculation factor (single, tandem)	$Y_0$	0.26
Calculation factor (single, tandem)	$Y_2$	0.57

#### Bearing pair arranged back-to-back or face-to-face

Calculation factor (back-to-back, face-to-face)	X	0.57
Calculation factor (back-to-back, face-to-face)	$Y_0$	0.52
Calculation factor (back-to-back, face-to-face)	$Y_1$	0.55
Calculation factor (back-to-back, face-to-face)	$Y_2$	0.93

#### Mass

Mass	0.42 kg
------	---------

# Terms and conditions

By accessing and using this website / app owned and published by AB SKF (publ.) (556007-3495 · Gothenburg) ("SKF"), you agree to the following terms and conditions:

## Warranty Disclaimer and Limitation of Liability

Although every care has been taken to assure the accuracy of the information on this website / app, SKF provides this information "AS IS" and DISCLAIMS ALL WARRANTIES, EXPRESS OR IMPLIED, INCLUDING, BUT NOT LIMITED TO, IMPLIED WARRANTIES OF MERCHANTABILITY AND FITNESS FOR A PARTICULAR PURPOSE. You acknowledge that your use of this website / app is at your sole risk, that you assume full responsibility for all costs associated with use of this website / app, and that SKF shall not be liable for any direct, incidental, consequential, or indirect damages of any kind arising out of your access to, or use of the information or software made available on this website / app. Any warranties and representations in this website / app for SKF products or services that you purchase or use will be subject to the agreed upon terms and conditions in the contract for such product or service. Further, for non-SKF websites / apps that are referenced in our website / app or where a hyperlink appears, SKF makes no warranties concerning the accuracy or reliability of the information in these websites / apps and assumes no responsibility for material created or published by third parties contained therein. In addition, SKF does not warrant that this website / app or these other linked websites / apps are free from viruses or other harmful elements.

## Copyright

Copyright in this website / app copyright of the information and software made available on this website / app rest with SKF or its licensors. All rights are reserved. All licensed material will reference the licensor that has granted SKF the right to use the material. The information and software made available on this website / app may not be reproduced, duplicated, copied, transferred, distributed, stored, modified, downloaded or otherwise exploited for any commercial use without the prior written approval of SKF. However, it may be reproduced, stored and downloaded for use by individuals without prior written approval of SKF. Under no circumstances may this information or software be supplied to third parties.

This website /app includes certain images used under license from Shutterstock, Inc.

## Trademarks and Patents

All trademarks, brand names, and corporate logos displayed on the website / app are the property of SKF or its licensors, and may not be used in any way without prior written approval by SKF. All licensed trademarks published on this website / app reference the licensor that has granted SKF the right to use the trademark. Access to this website / app does not grant to the user any license under any patents owned by or licensed to SKF.

## Changes

SKF reserves the right to make changes or additions to this website / app at any time.