

FAG

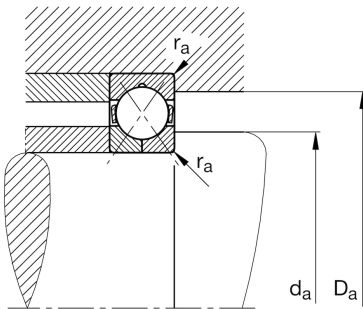
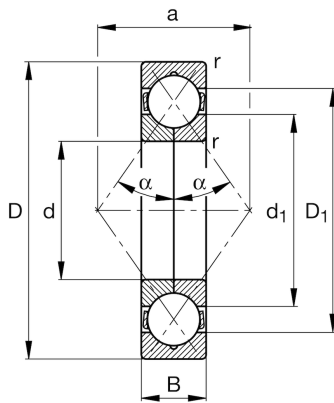
QJ209-XL-TVP

Four-point contact bearing

Schaeffler ID:
0167422730000Four point contact bearing QJ2..-XL-TVP,
X-life, plastic cage

X-life

Technical information

**Main Dimensions & Performance Data**

d	45 mm	Bore diameter
D	85 mm	Outside diameter
B	19 mm	Width
C_r	66.000 N	Basic dynamic load rating, radial
C_{0r}	57.000 N	Basic static load rating, radial
C_{ur}	4.000 N	Fatigue load limit, radial
n_G	10.800 1/min	Limiting speed
n_{gr}	6.900 1/min	Reference speed
	443 g	Weight

Mounting dimensions

$d_{a \min}$	52 mm	Minimum diameter shaft shoulder
$D_{a \max}$	78 mm	Maximum diameter of housing shoulder
$r_{a \max}$	1 mm	Maximum fillet radius

Dimensions

r_{\min}	1,1 mm	Minimum chamfer dimension
D_1	72 mm	Shoulder diameter outer ring
d_1	58,5 mm	Shoulder diameter inner ring
a	45 mm	Distance between the apexes of the pressure cones
α	35 °	Contact angle

Temperature range

T_{\min}	-30 °C	Operating temperature min.
T_{\max}	120 °C	Operating temperature max.