



FAG

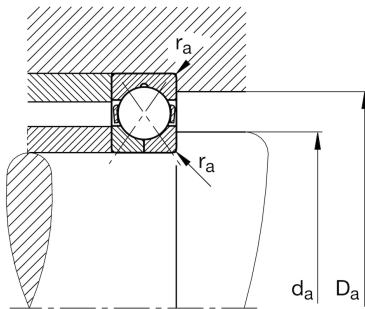
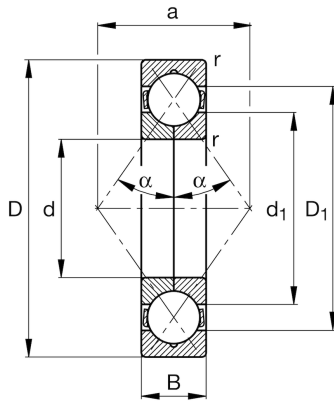
**QJ215-XL-MPA**

Four-point contact bearing

Schaeffler ID:  
0192608490000Four point contact bearing QJ2..-XL-MPA,  
X-life, solid brass cage

X-life

## Technical information

**Main Dimensions & Performance Data**

d	75 mm	Bore diameter
D	130 mm	Outside diameter
B	25 mm	Width
$C_r$	123.000 N	Basic dynamic load rating, radial
$C_{0r}$	122.000 N	Basic static load rating, radial
$C_{ur}$	8.800 N	Fatigue load limit, radial
$n_G$	10.200 1/min	Limiting speed
$n_{gr}$	4.550 1/min	Reference speed
	1,457 kg	Weight

**Mounting dimensions**

$d_{a \min}$	84 mm	Minimum diameter shaft shoulder
$D_{a \max}$	121 mm	Maximum diameter of housing shoulder
$r_{a \max}$	1,5 mm	Maximum fillet radius

**Dimensions**

$r_{\min}$	1,5 mm	Minimum chamfer dimension
$D_1$	111,5 mm	Shoulder diameter outer ring
$d_1$	93,9 mm	Shoulder diameter inner ring
a	72 mm	Distance between the apexes of the pressure cones
$\alpha$	35 °	Contact angle

**Temperature range**

$T_{\min}$	-30 °C	Operating temperature min.
$T_{\max}$	150 °C	Operating temperature max.