

FAG

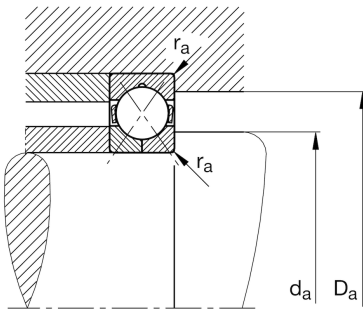
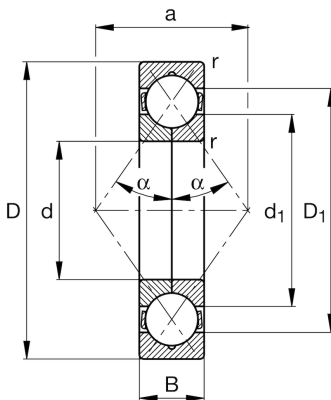
QJ215-XL-TVP

Four-point contact bearing

Schaeffler ID:
0192609110000Four point contact bearing QJ2..-XL-TVP,
X-life, plastic cage

X-life

Technical information



Main Dimensions & Performance Data

| | | |
|----------|-------------|-----------------------------------|
| d | 75 mm | Bore diameter |
| D | 130 mm | Outside diameter |
| B | 25 mm | Width |
| C_r | 129.000 N | Basic dynamic load rating, radial |
| C_{0r} | 130.000 N | Basic static load rating, radial |
| C_{ur} | 9.300 N | Fatigue load limit, radial |
| n_G | 6.800 1/min | Limiting speed |
| n_{gr} | 4.450 1/min | Reference speed |
| | 1,311 kg | Weight |

Mounting dimensions

| | | |
|--------------|--------|--------------------------------------|
| $d_{a \min}$ | 84 mm | Minimum diameter shaft shoulder |
| $D_{a \max}$ | 121 mm | Maximum diameter of housing shoulder |
| $r_{a \max}$ | 1,5 mm | Maximum fillet radius |

Dimensions

| | | |
|------------|----------|---|
| r_{\min} | 1,5 mm | Minimum chamfer dimension |
| D_1 | 111,5 mm | Shoulder diameter outer ring |
| d_1 | 93,9 mm | Shoulder diameter inner ring |
| a | 72 mm | Distance between the apexes of the pressure cones |
| α | 35 ° | Contact angle |

Temperature range

| | | |
|------------|--------|----------------------------|
| T_{\min} | -30 °C | Operating temperature min. |
| T_{\max} | 120 °C | Operating temperature max. |