



FAG

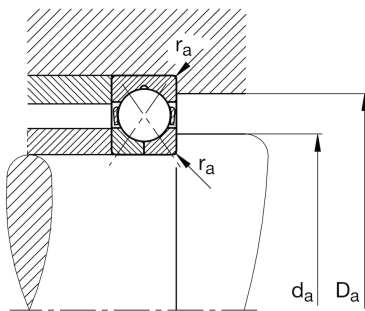
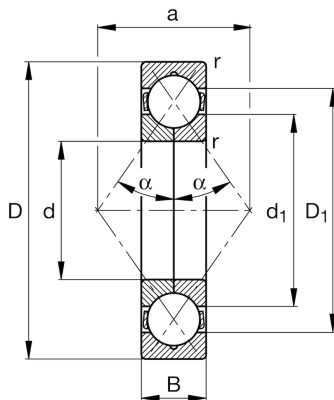
QJ216-XL-MPA

Four-point contact bearing

Schaeffler ID:
0167423200000Four point contact bearing QJ2..-XL-MPA,
X-life, solid brass cage

X-life

Technical information

**Main Dimensions & Performance Data**

d	80 mm	Bore diameter
D	140 mm	Outside diameter
B	26 mm	Width
C_r	136.000 N	Basic dynamic load rating, radial
C_{0r}	137.000 N	Basic static load rating, radial
C_{ur}	9.700 N	Fatigue load limit, radial
n_G	9.400 1/min	Limiting speed
n_{gr}	4.250 1/min	Reference speed
	1,735 kg	Weight

Mounting dimensions

$d_{a \min}$	91 mm	Minimum diameter shaft shoulder
$D_{a \max}$	129 mm	Maximum diameter of housing shoulder
$r_{a \max}$	2 mm	Maximum fillet radius

Dimensions

r_{\min}	2 mm	Minimum chamfer dimension
D_1	119,6 mm	Shoulder diameter outer ring
d_1	100,9 mm	Shoulder diameter inner ring
a	77 mm	Distance between the apexes of the pressure cones
α	35 °	Contact angle

Temperature range

T_{\min}	-30 °C	Operating temperature min.
T_{\max}	150 °C	Operating temperature max.