



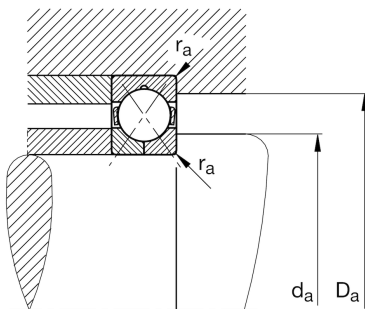
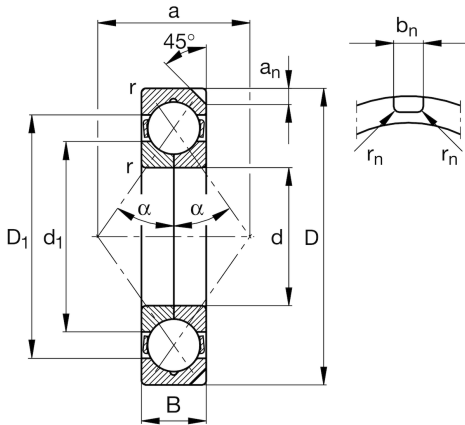
FAG

QJ224-N2-MPA-C3

Four-point contact bearing

Schaeffler ID:
0192612500030Four point contact bearing QJ2..-N2-MPA,
holding grooves, solid brass cage

Technical information

**Main Dimensions & Performance Data**

d	120 mm	Bore diameter
D	215 mm	Outside diameter
B	40 mm	Width
C _r	285.000 N	Basic dynamic load rating, radial
C _{0r}	340.000 N	Basic static load rating, radial
C _{ur}	15.100 N	Fatigue load limit, radial
n _G	5.400 1/min	Limiting speed
n _{gr}	3.050 1/min	Reference speed
	6,53 kg	Weight

Mounting dimensions

d _{a min}	132 mm	Minimum diameter shaft shoulder
D _{a max}	203 mm	Maximum diameter of housing shoulder
r _{a max}	2,1 mm	Maximum fillet radius

Dimensions

r _{min}	2,1 mm	Minimum chamfer dimension
D ₁	183,7 mm	Shoulder diameter outer ring
d ₁	152,8 mm	Shoulder diameter inner ring
a	117 mm	Distance between the apexes of the pressure cones
a _n	11,7 mm	Height retaining slot
b _n	10,5 mm	Width retaining slot
r _n	2 mm	Radius retaining slot
	45 °	Angle retaining slot
α	35 °	Contact angle

Temperature range

T _{min}	-30 °C	Operating temperature min.
T _{max}	150 °C	Operating temperature max.