

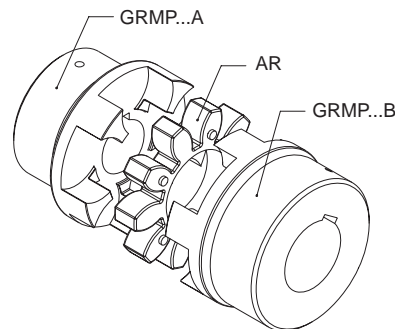
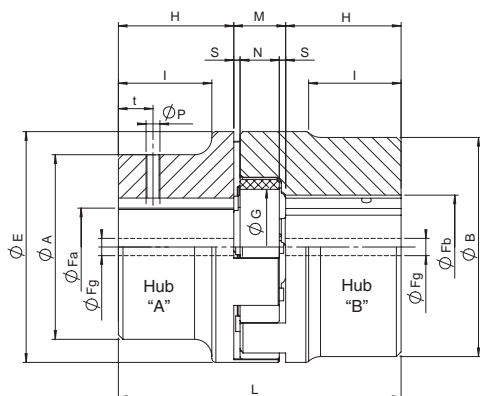
# “GR” base program

TRASCO® couplings are dimensionally manufactured to hub types “A” and “B”, the difference being the maximum shaft diameter which hubs can accept (corresponding respectively to the first and second code number).  
The long hub execution “L” (allows full cover of the motor shaft) is

available in both “A” and “B” executions.

Materials used for manufacture are:

- cast iron grade GG25 (all sizes);
- aluminum, diecasting
- cast iron grade GGG40 and steel upon request.



## Dimensional specification hubs in GG25

Type	Fa max [mm]	Fb max [mm]	Fg [mm] execution		E [mm]	A [mm]	B [mm]	A			B execution			AL execution			BL execution			M [mm]	S [mm]	N [mm]	G [mm]
			A	B				H [mm]	L [mm]	I [mm]	H [mm]	L [mm]	I [mm]	H [mm]	L [mm]	I [mm]	H [mm]	L [mm]	I [mm]				
19/24*	-	24	-	-	40	-	40	25	66	-	25	66	-	-	-	-	50	-	-	16	2	12	18
24/32	24	32	8	10	55	40	55	30	78	24	30	78	-	50	118	44	60	138	-	18	2	14	27
28/38	28	38	8	10	65	48	65	35	90	28	35	90	-	60	140	53	80	180	-	20	2,5	15	30
38/45	38	45	10	12	80	66	80	45	114	37	45	114	-	80	184	72	110	244	-	24	3	18	38
42/55	42	55	10	12	95	75	95	50	126	40	50	126	-	110	246	100	110	246	-	26	3	20	46
48/60	48	60	12	12	105	85	105	56	140	45	56	140	-	110	248	99	140	308	-	28	3,5	21	51
55/70	55	70	15	15	120	98	120	65	160	52	65	160	-	110	250	97	140	310	-	30	4	22	60
65/75	65	75	15	15	135	115	135	75	185	61	75	185	-	140	315	126	140	315	-	35	4,5	26	68
75/90	75	90	15	15	160	135	160	85	210	69	85	210	-	140	320	124	170	380	-	40	5	30	80
90/100	90	100	20	20	200	160	180	100	245	81	100	245	81	170	385	151	210	465	191	45	5,5	34	100
100/110	115	-	45	-	225	180	-	110	270	89	110	270	-	-	-	-	-	-	-	50	6	38	113
110/125	125	-	55	-	255	200	-	120	295	96	120	295	-	-	-	-	-	-	-	55	6,5	42	127
125/145	145	-	55	-	290	230	-	140	340	112	140	340	-	-	-	-	-	-	-	60	7	46	147

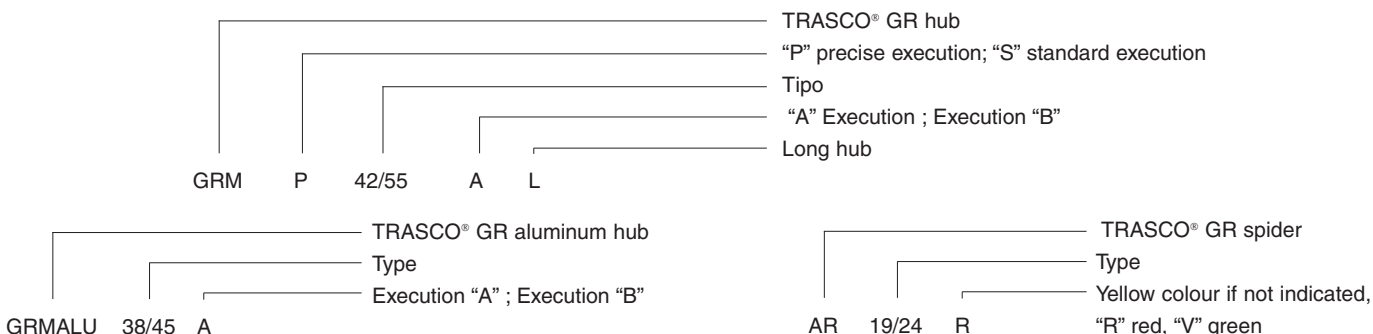
\* Sintered steel

Valid bore for “P” execution

## Dimensional specification hubs in aluminum

Type	Fa max [mm]	Fb max [mm]	Fg [mm] execution		E [mm]	A [mm]	B [mm]	L [mm]	H [mm]	M [mm]	S [mm]	N [mm]	I [mm]	G [mm]
			A	B										
19/24	-	24	-	-	40	40	40	66	25	16	2	12	-	18
24/32	24	32	-	-	55	40	55	78	30	18	2	14	24	27
28/38	28	38	12	28	65	48	65	90	35	20	2,5	15	28	30
38/45	38	45	22	38	80	66	77	114	45	24	3	18	37	38
42/55	-	55	-	22	95	-	95	126	50	26	3	20	-	46
48/60	-	60	-	30	105	-	105	140	56	28	3,5	21	-	51

## Order form



# Stock range

## Hubs with finished bore H7, keyway, stop screw

Type	19/24		24/32			28/38			38/45			42/55			48/60			55/70		65/75		75/90		90/100	
Material*	ALU	AC	ALU	GG	GG	ALU	GG	GG	ALU	GG	GG	ALU	GG	GG	ALU	GG	GG	GG	GG	GG	GG	GG	GG		
Hub execution	B	B	A	B	A	B	A	B	A	B	A	B	A	B	B	A	B	A	B	A	A	A	A		
Stock range bore [mm]	10	•	•																						
	11	•	•																						
	12	•	•																						
	14	•	•	•		•		•		•															
	15	•	•	•		•		•		•															
	16	•	•	•		•		•		•															
	18		•	•		•		•		•															
	19	•	•	•		•		•		•															
	20	•	•	•		•		•		•															
	22			•		•		•				•													
	24	•	•	•	•	•	•		•		•		•												
	25				•	•	•		•		•		•	•											
	28				•	•	•		•		•		•	•											
	30							•		•	•		•	•		•		•							
	32									•	•		•	•		•	•		•						
	35								•	•	•	•		•		•	•		•						
	38								•		•	•		•	•		•	•		•					
	40										•		•	•		•	•		•		•				
	42										•		•	•		•	•		•						
	45												•	•	•	•		•		•		•			
48												•	•	•	•		•		•		•				
50												•	•	•		•	•		•		•	•			
55												•	•	•		•	•		•		•	•			
60														•	•		•		•		•	•			
65																	•		•		•	•			
70																	•				•	•			
75																					•	•			
80																						•			
85																						•			
90																						•			

\*ALU = Aluminum - AC = Steel - GG = Cast iron

### Setscrews types for single hubs

Hub dimension	P [mm]	t [mm]
19	M5	10
24/32	M5	10
28/38	M6	15
38/45	M8	15
42/55	M8	20
48/60	M8	20
55/70	M10	20
65/75	M10	20
75/90	M10	25
90/100	M12	30
100/100	M12	30
110/125	M16	35
125/145	M16	40

